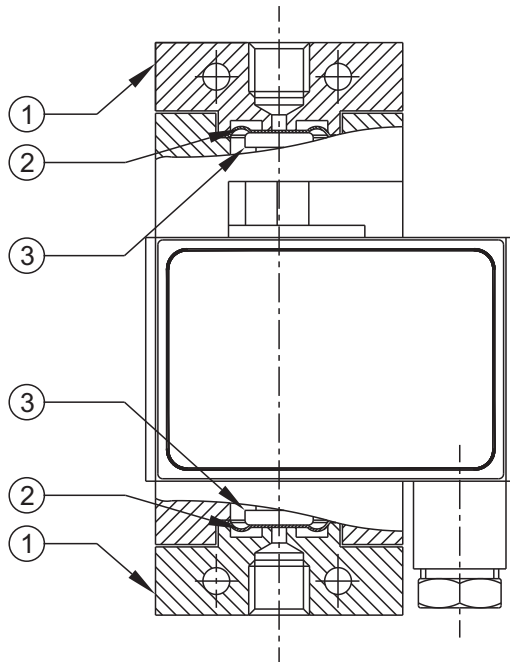


DP HIGH RANGE PRESSURE DIFFERENCE SWITCHES



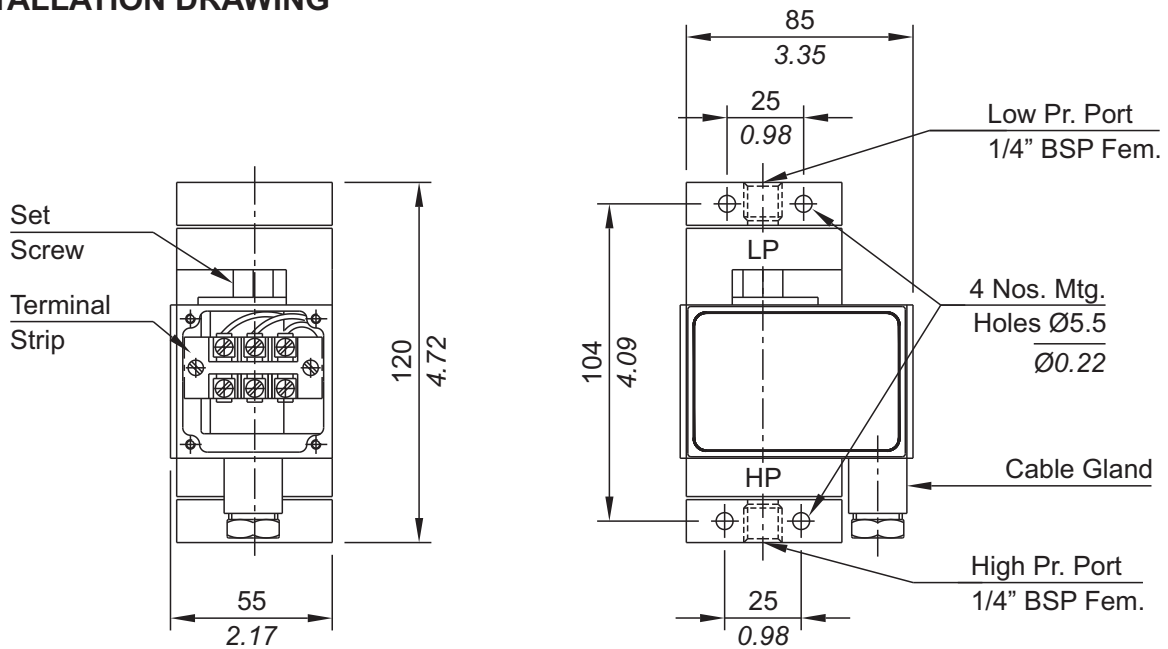
PRESSURE CAPSULE DETAILS



- No. Description**
 1. Pressure housing
 2. Diaphragm
 3. Plunger

Note : *wetted parts* are mentioned in italics.

INSTALLATION DRAWING



APPROX. DIMENSIONS IN $\frac{\text{mm}}{\text{inches}}$

HIGH RANGE PRESSURE DIFFERENCE SWITCHES **DP**

General information:

DP series pressure difference switches are housed in pressure die cast aluminium powder coated enclosure and are recommended for panel mounting or indoor service based on the type of enclosure opted for. The repeat accuracy is better than $\pm 1\%$ FSR. A 3/8" cable entry is provided for cables and a terminal strip suitable for wired ends is provided inside the enclosure. Pressure ports are 1/4" BSPF standard.

Features:

- Compact
- Separate chamber for working parts
- Choice of wetted parts to suit working media
- Electrical rating : 5A, 250 VAC; 0.2 A, 250 VDC (res.)
- Pressure ports: 1/4" BSPF

Some Applications : Works on opposed diaphragm principle, diaphragm seals can be coupled to this switch. Used in water treatment plants, bag filters, strainers, etc.

Range Selection Table

Range Code	Range bar (psi) ΔP	Approximate Maximum Differential* bar (psi)	Maximum Working Pressure bar (psi)
H01	0.1 - 1.0 (1.45 - 14.50)	0.15 (2.18)	12 (174.05)
H02	0.1 - 1.5 (1.45 - 21.76)	0.15 (2.18)	12 (174.05)
H03	0.2 - 2.6 (2.90 - 37.71)	0.2 (2.90)	12 (174.05)
H04	0.2 - 3.6 (2.90 - 52.21)	0.2 (2.90)	12 (174.05)
H07	0.5 - 7.0 (7.25 - 101.52)	0.5 (7.25)	12 (174.05)
H10	0.5 - 10.0 (7.25 - 145.04)	1.0 (14.50)	25 (362.6)
H15	1.0 - 15.0 (14.50 - 217.71)	1.0 (14.50)	25 (362.6)
H30	5.0 - 25.0 (72.52 - 362.6)	1.5 (21.75)	35 (507.63)

*Minimum differential increases with setpoint (Graphs available on request)

How to order DP series high range pressure difference switches

Group 1	Group 2	Group 3	Group 4	Group 5	Group 6
Model	Range Code	Range Scale	Pressure Housing	Diaphragm	Enclosure
DP - Pressure Difference Switch (Can be used for both side Positive Pressures Only)	H - High Pressure Range	U - Uncalibrated C - Calibrated	A - Aluminium B - Brass S - SS 316	0 - Neoprene 1 - PTFE	0 - IP 54
			for special wetted parts through chemical seals, please refer pages 296 - 302 and specify in text accordingly.		

eg. A pressure difference switch, high pressure range from 0.1-1.5 bar in calibrated style with brass pressure housing & a teflon diaphragm as wetted parts, with IP54 Enclosure shall be specified by

Group 1	Group 2	Group 3	Group 4	Group 5	Group 6
DP	H02	C	B	1	0

Please specify full model number to avoid ambiguity. If only the first two groups are specified while ordering, uncalibrated switches with standard wetted parts and enclosures will be supplied.